



**Health and Safety Warning:**

Ceramic fiber products are suspected of causing cancer by inhalation. All ceramic fiber products have a hazard communication warning label and a prop 65 warning for airborne fiber inhalation. You should minimize exposure to airborne fibers. When handling ceramic fiber we recommend using particulate respirator mask (N95), protective gloves, safety glasses and long sleeve clothing. For complete safety information consult the SDS sheet. <https://www.lynnmfg.com/documentation/>



**Before you start work:**

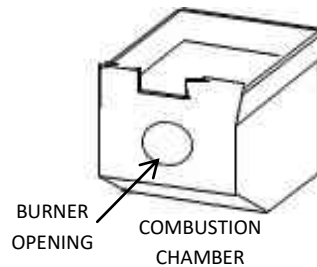
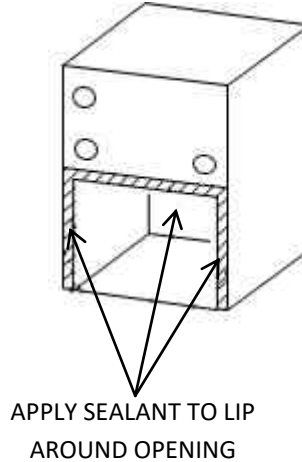
1. Read all instructions and check the kit number before starting work. **See Note A.**
2. Turn off service switch on boiler and all other electrical disconnect switches.
3. Close fuel supply valve(s) and disconnect fuel line from the burner.

**Removal:**

4. Check to make sure all electric power is off, and the oil line is disconnected.
5. Remove the oil burner.
6. Remove the burner mounting plate.
7. Remove the old combustion chamber.
8. Clean-out the combustion area.

**Installation:**

9. Press the new combustion chamber into the boiler opening. Make sure the burner opening is facing forward. This chamber is designed to be a tight fit. It is normal to feel some resistance when pressing it into position. **See Note B.**
10. Using a caulking gun, place a bead of refractory cement on the lip around the boiler opening.
11. Replace the burner mounting plate. Make sure all screws are tight.
12. Check the burner opening. If it does not line up, trim as necessary.
13. Inspect around the burner mounting plate and use the refractory cement to fill any gaps.
14. Reinstall the oil burner.
15. Reconnect and turn on the oil line and electric power.
16. Fire the Burner. **See Note E.**



**Note A: Correct Kit**

Please check this is the correct kit for your make & model boiler by checking the box label or consulting our Ready Reference.

**Note B: Fitting Ceramic Fiber Pieces**

Many of the rigid ceramic fiber pieces are designed to be a firm press fit. To avoid breakage, press carefully and gradually. The fit may need to be adjusted by sanding or filing until a snug press fit is achieved.

**Note E: Initial Firing**

Fire the burner for 15 minutes to allow ceramic fiber insulation to "cure". It is normal when first fired for some smoke and a slight odor to occur. Combustion test must be performed after curing process.

**Application, Installation and Use Warning:**

In applications including; boilers, furnaces, wood stoves, wood inserts, fireplaces, heating devices, and other appliances, parts must be used consistently with original equipment manufacturers specifications, design, function and operation.

Improper installation or use of this product could result in a fire, smoke inhalation or carbon monoxide poisoning. Products should be installed by a licensed and certified technician in compliance with all national, state and local codes. Products should be inspected annually by a licensed and certified technician for wear, brittleness, cracking or crumbling, and replaced as necessary. Lynn Manufacturing, Inc. recommends installers certified by NFI, CSIA or NORA.

Never work on a piece of equipment or touch the fibrous product when it is hot, as the product may show no visible signs of heat from glowing or smoking.

Lynn Manufacturing, Inc offers hundreds of products with many applications. Determining whether the product is a fit for the particular purpose and suitable for an application is the sole responsibility of the purchaser/installer.

In no event shall Lynn Manufacturing, Inc be liable for any damages to property or life arising from or connected with the use of this product.

V0420